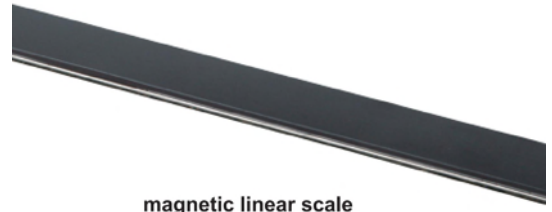
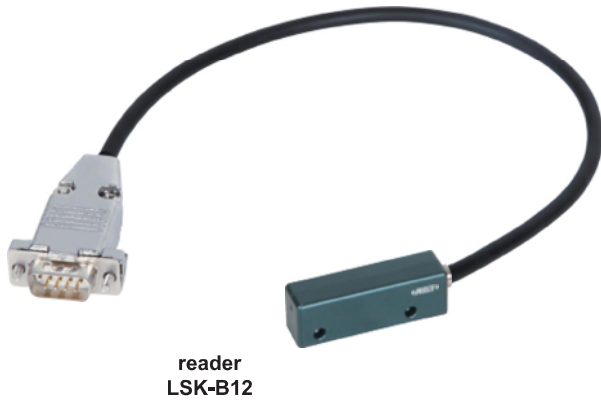
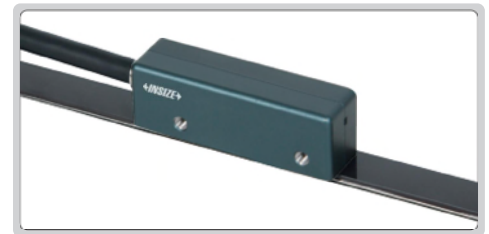


## MAGNETIC LINEAR SCALES (INCREMENTAL TYPE)



application



- Magnetic grating scale, incremental type
- Output frequency: 1000Hz (can be customized up to 8000Hz)
- Cable length: 0.5m (can be customized up to 15m)
- Dust/waterproof: IP65

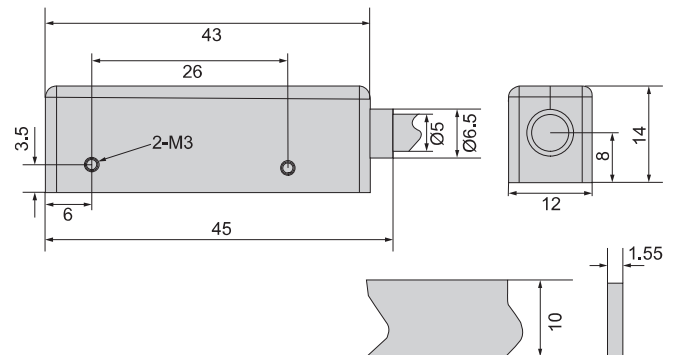
### READER SPECIFICATION

Code	Resolution	Repeatability	Max. response speed	Power supply	Current	Output signal	Output interface
LSK-B10	0.1μm	±0.5μm	5m/s	5V±5%	<50mA	RS422	
LSK-B11	0.5μm	±1μm					
LSK-B12	1μm	±2μm					
LSK-B20	0.1μm	±0.5μm					
LSK-B21	0.5μm	±1μm					
LSK-B22	1μm	±2μm					
LSK-B30	0.1μm	±0.5μm					
LSK-B31	0.5μm	±1μm					
LSK-B32	1μm	±2μm					

### MAGNETIC LINEAR SCALE

Code	Length*	Code	Length*	Code	Length*
LSK-C1	1m	LSK-C10	10m	LSK-C19	19m
LSK-C2	2m	LSK-C11	11m	LSK-C20	20m
LSK-C3	3m	LSK-C12	12m	LSK-C25	25m
LSK-C4	4m	LSK-C13	13m	LSK-C30	30m
LSK-C5	5m	LSK-C14	14m	LSK-C35	35m
LSK-C6	6m	LSK-C15	15m	LSK-C40	40m
LSK-C7	7m	LSK-C16	16m	LSK-C45	45m
LSK-C8	8m	LSK-C17	17m	LSK-C50	50m
LSK-C9	9m	LSK-C18	18m		

\* Customized length according to customer requirements



assistant tool (optional)

### MAGNETIC LINEAR SCALE SPECIFICATION

Pitch	2+2mm
Accuracy	±40μm
Max. length	50m

### OPTIONAL ACCESSORY

Code	Name	Description
LSK-B01	assistant tool	mounting magnetic linear scales